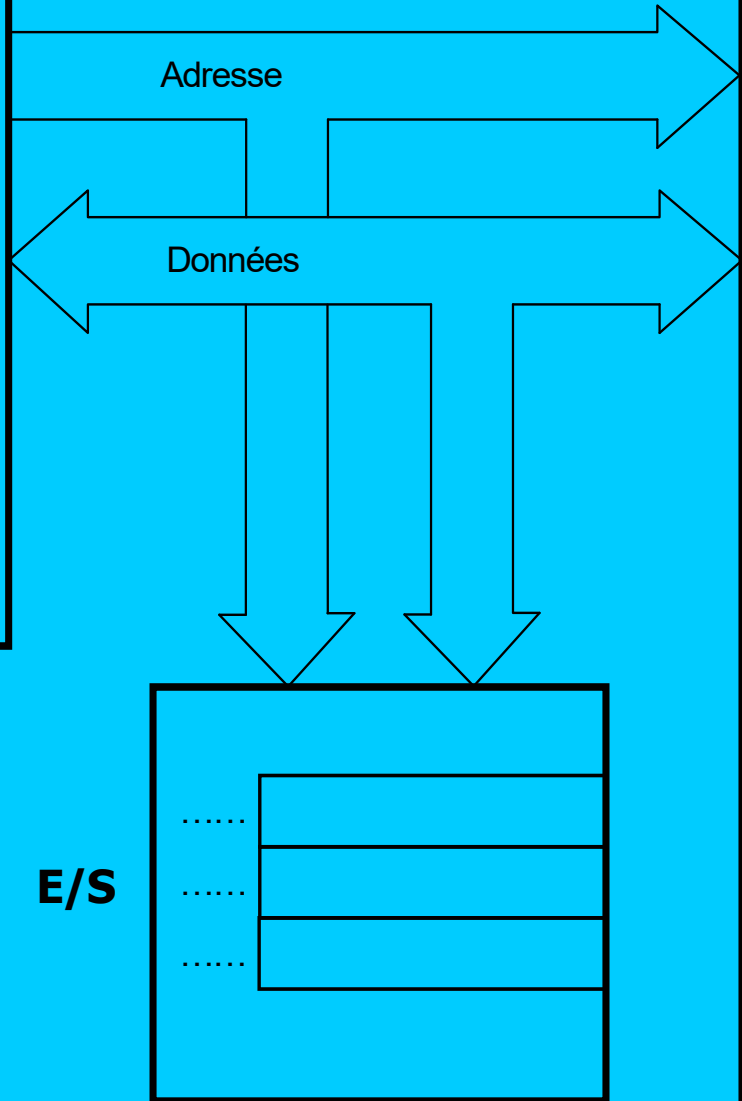
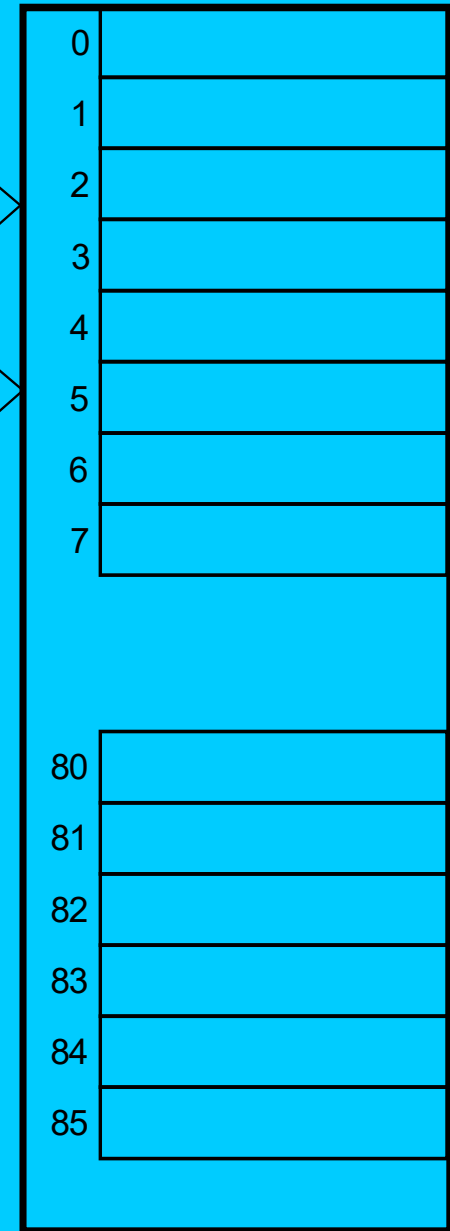
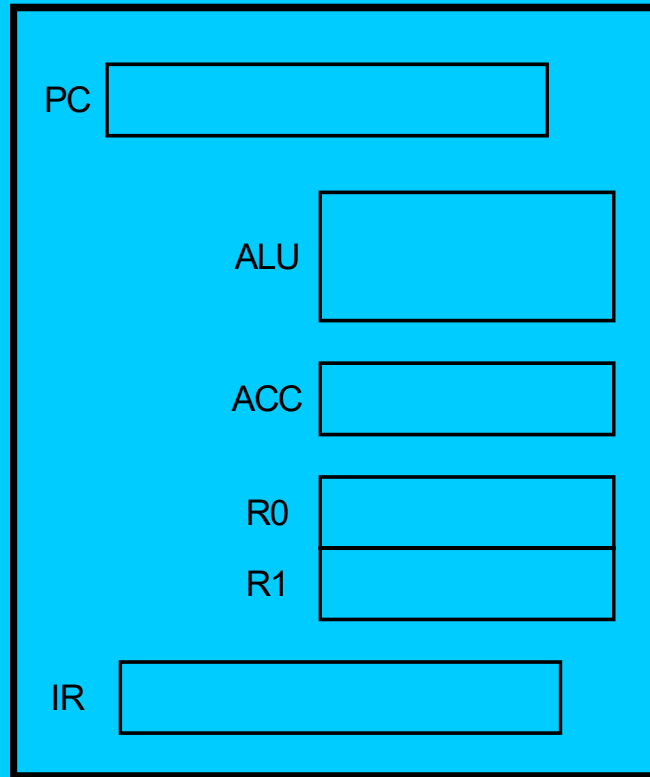


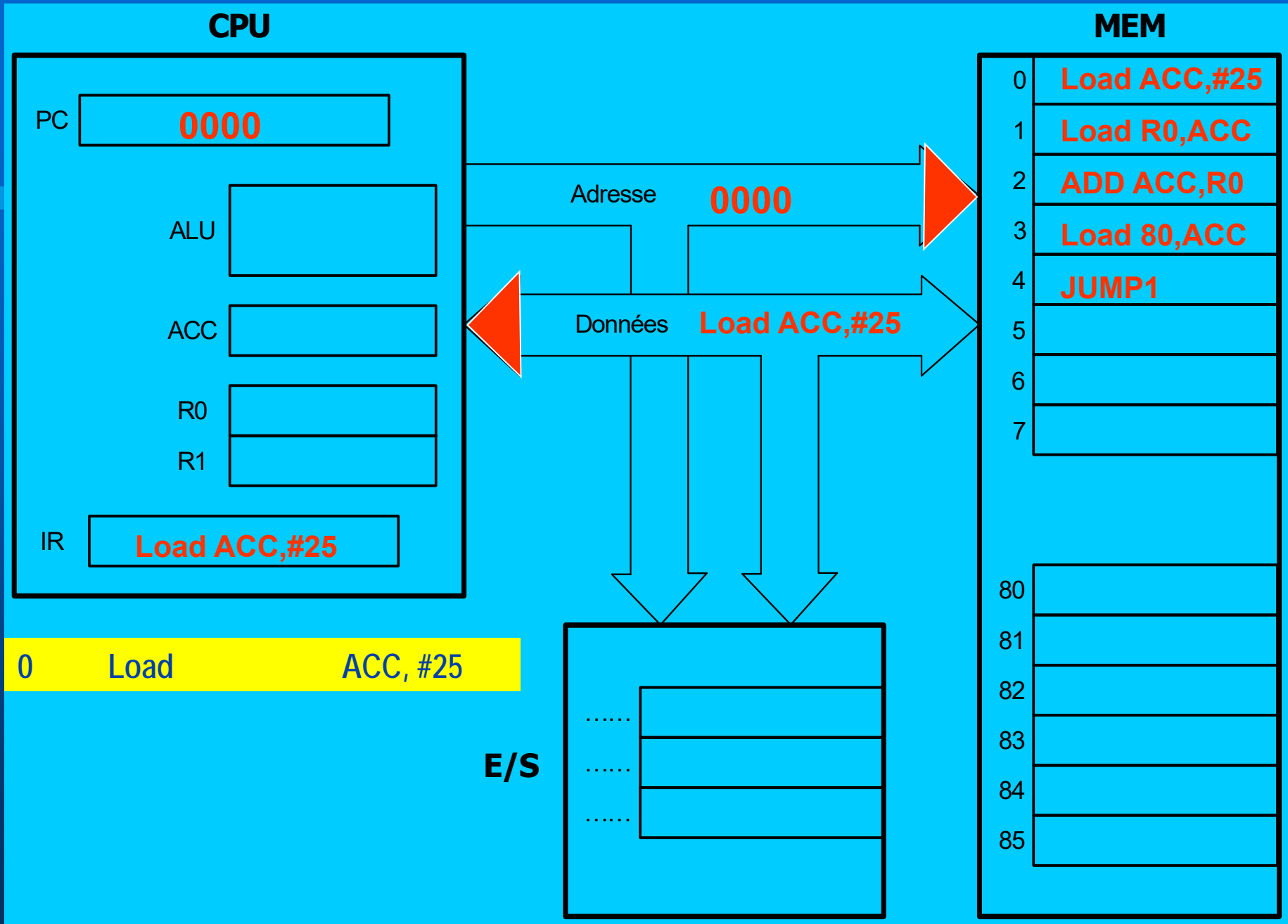
- La mémoire contient le programme suivant :

Adresse	Instructions	
0	Load	ACC, #25
1	Load	R0, ACC
2	ADD	ACC, R0
3	Load	80,ACC
4	JUMP	1

CPU

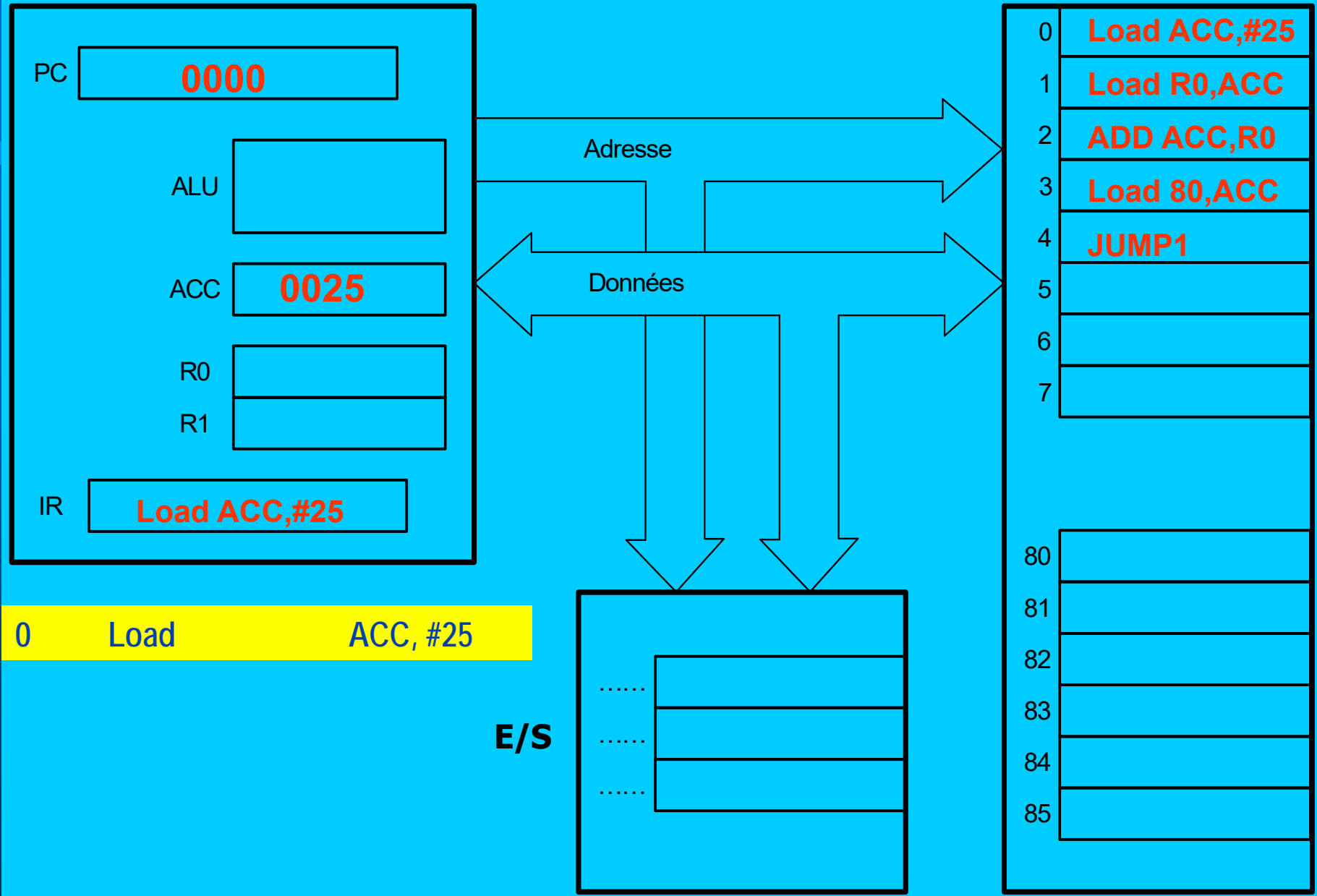
MEM





CPU

MEM

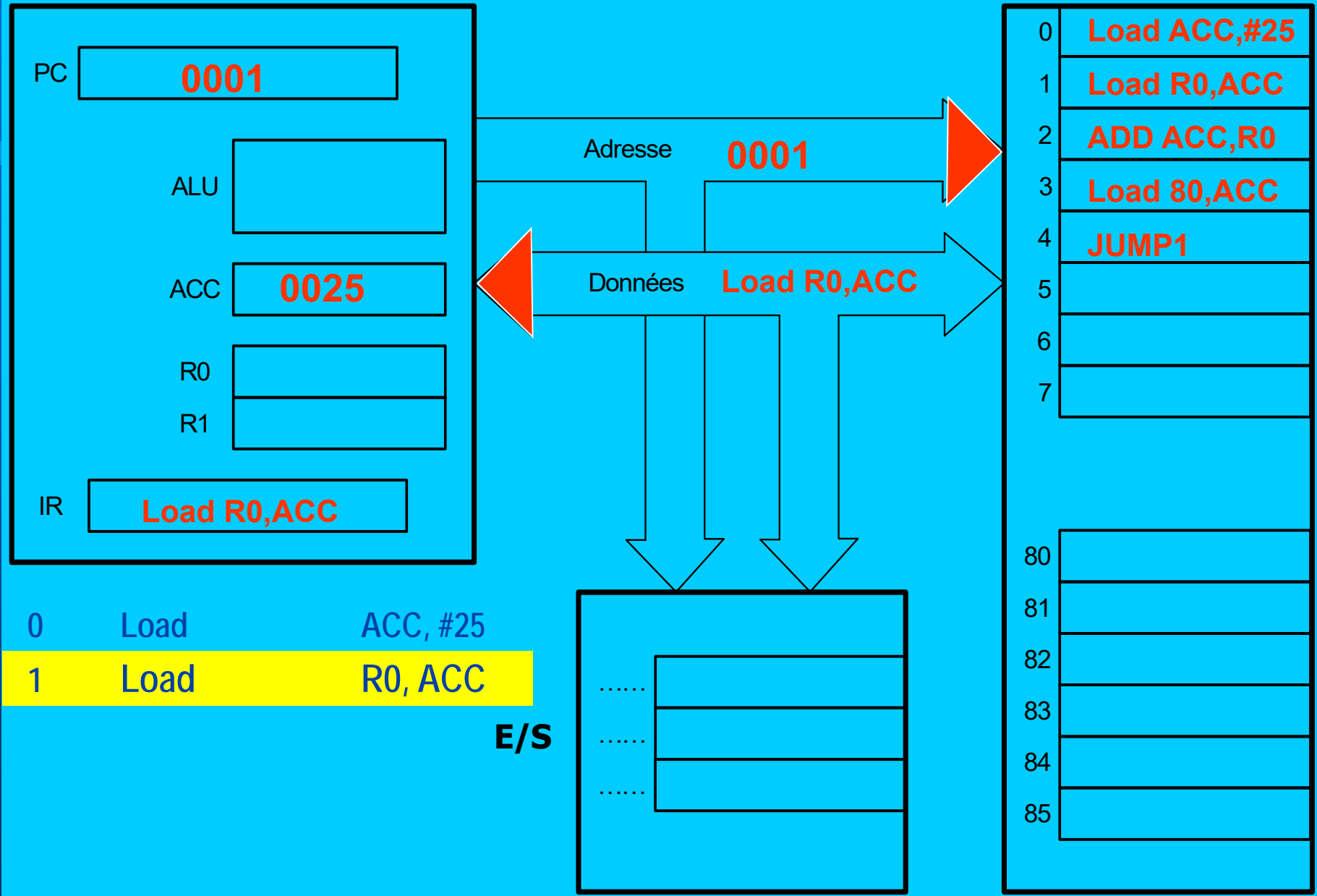


0 Load ACC, #25

E/S

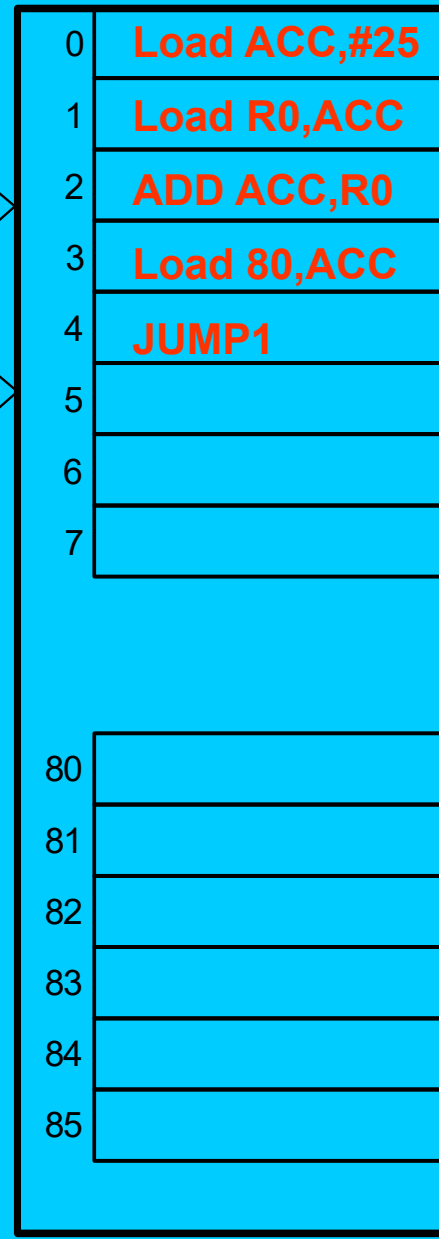
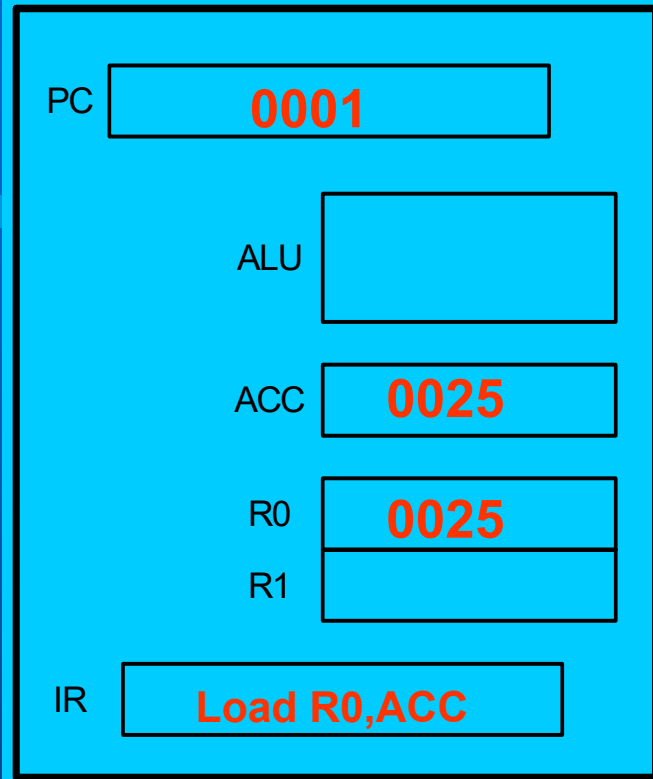
CPU

MEM



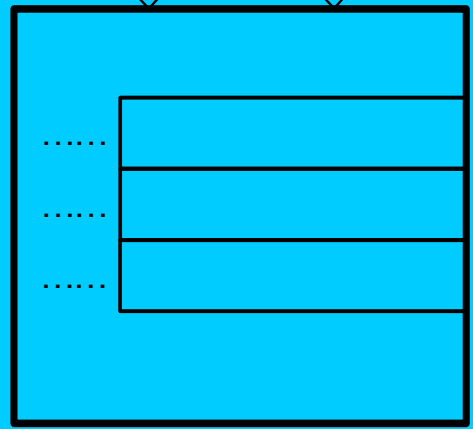
CPU

MEM



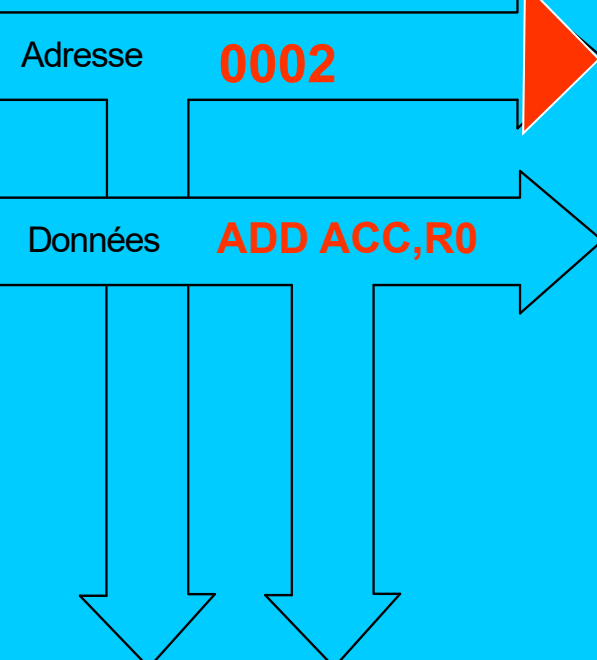
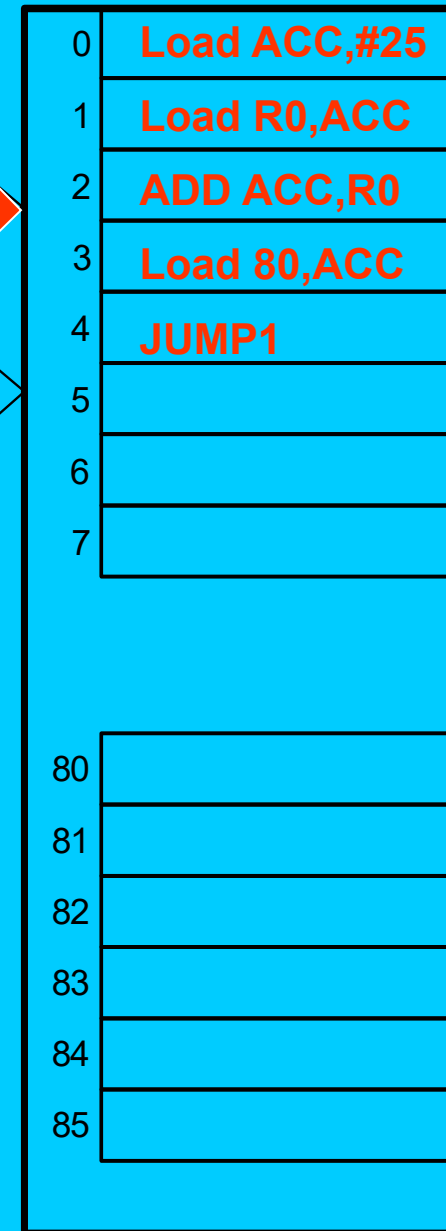
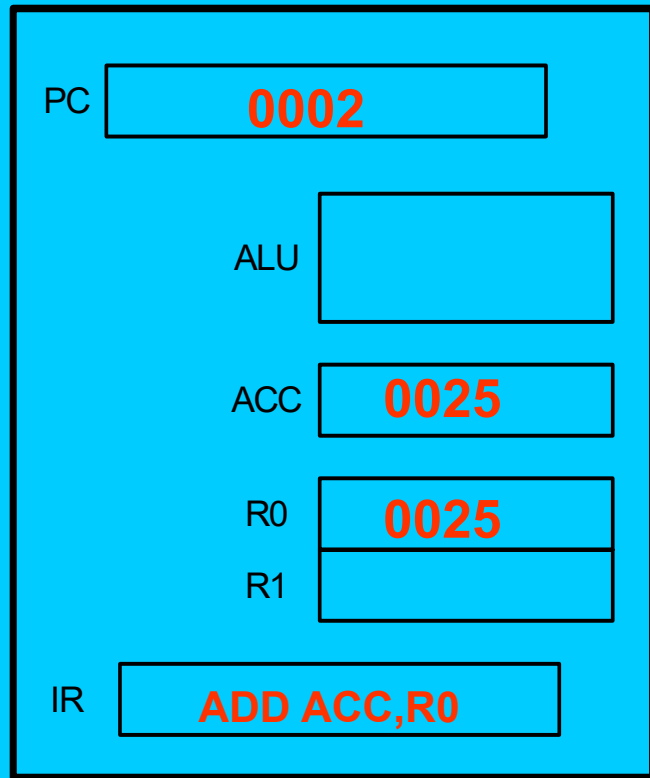
0	Load	ACC, #25
1	Load	R0, ACC

E/S

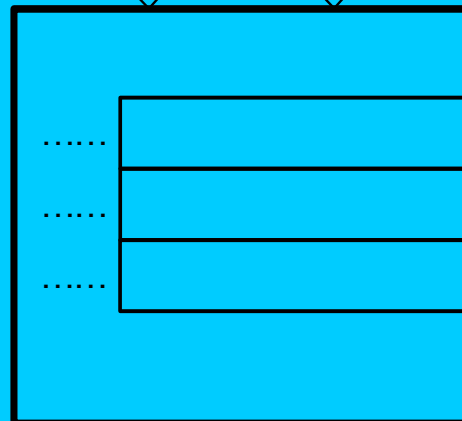


CPU

MEM

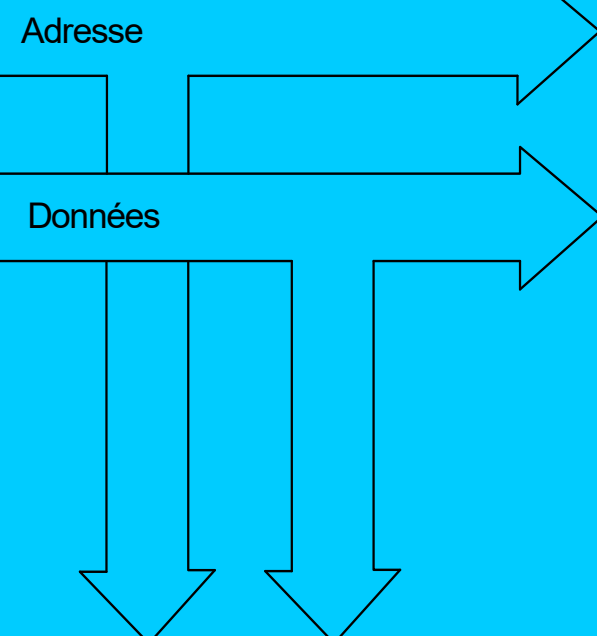
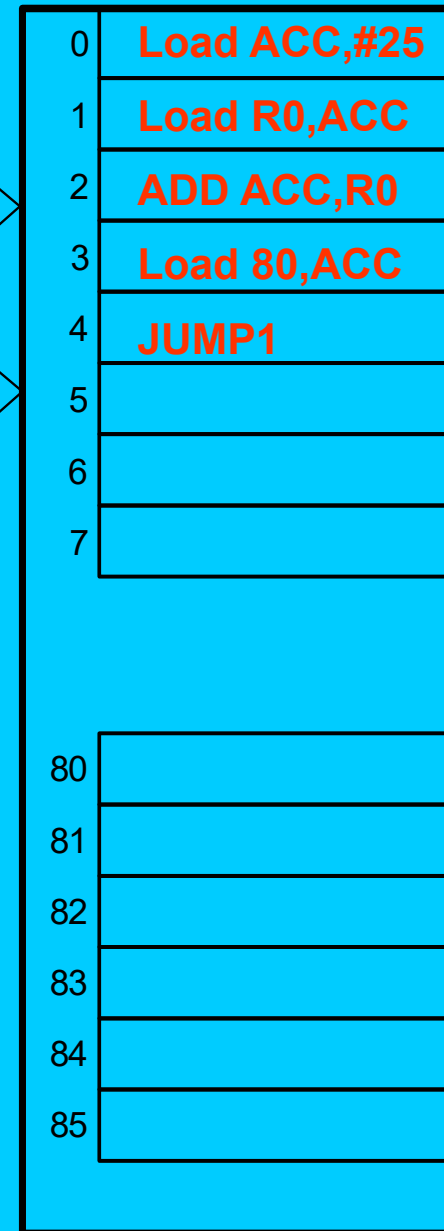
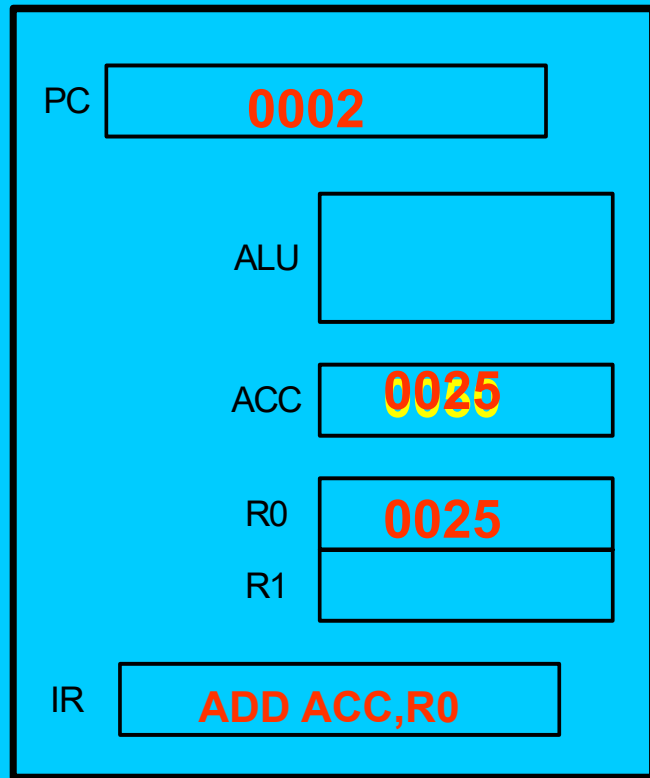


0	Load	ACC, #25
1	Load	R0, ACC
2	ADD	ACC, R0

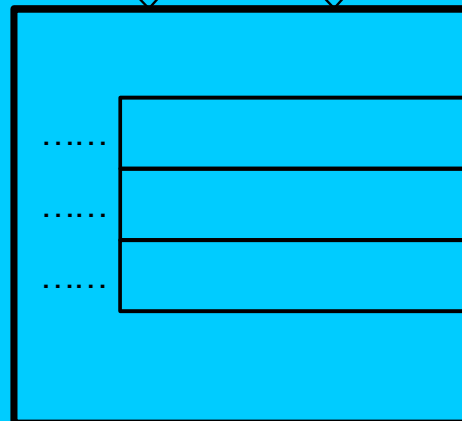


CPU

MEM

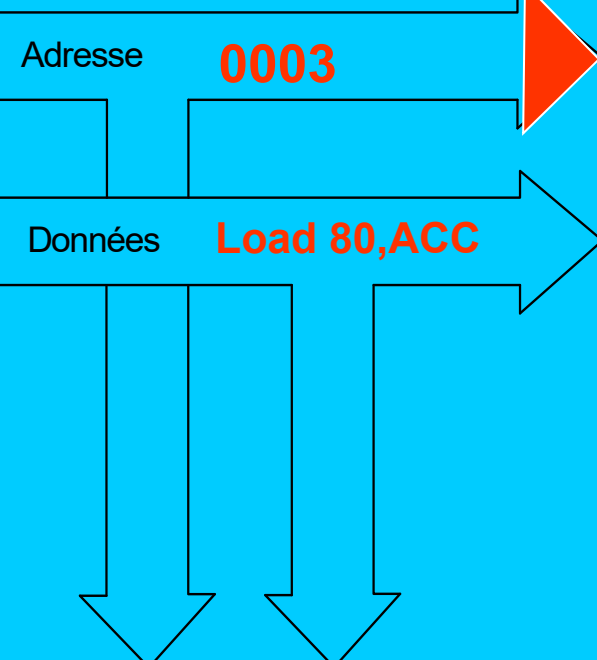
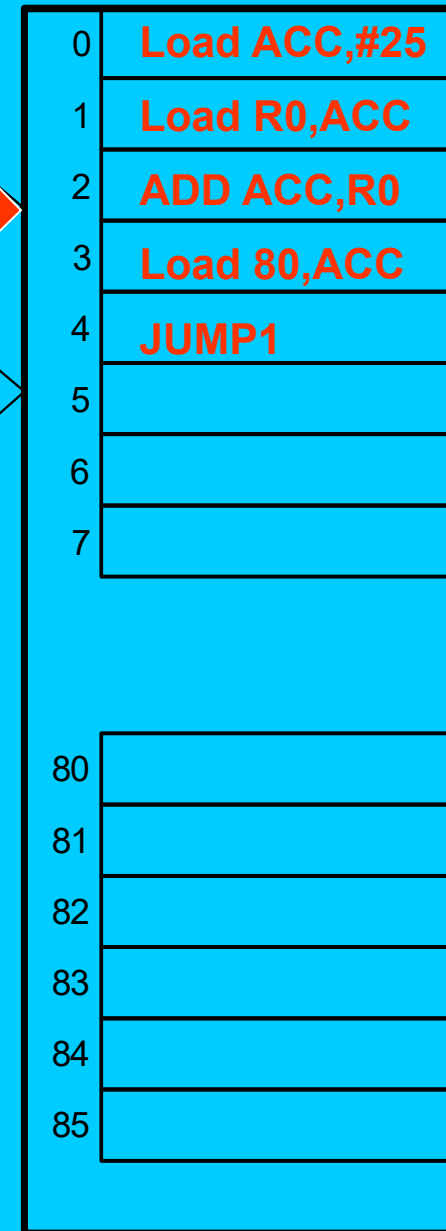
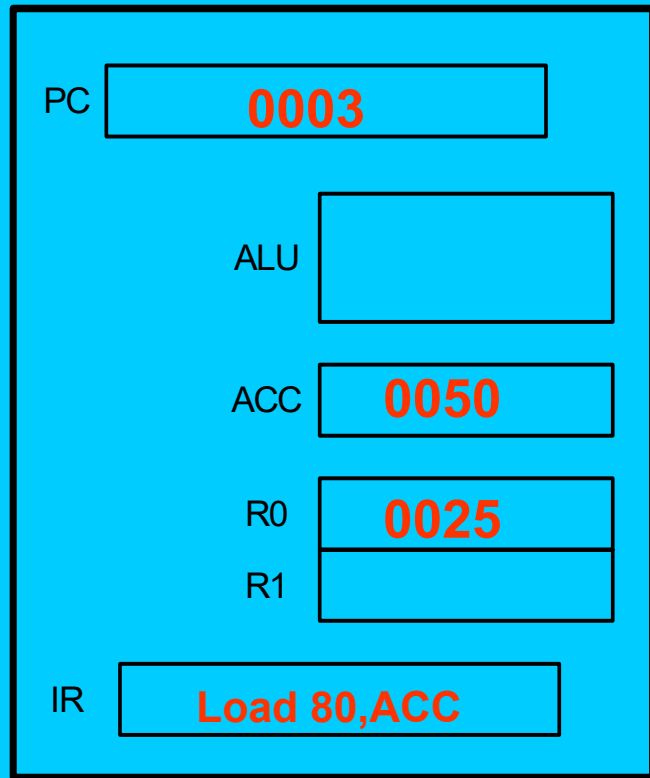


0	Load	ACC, #25
1	Load	R0, ACC
2	ADD	ACC, R0

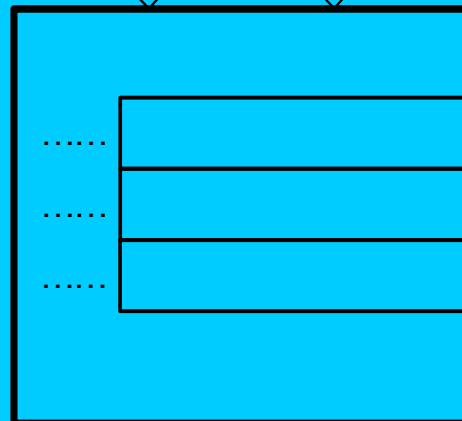


CPU

MEM

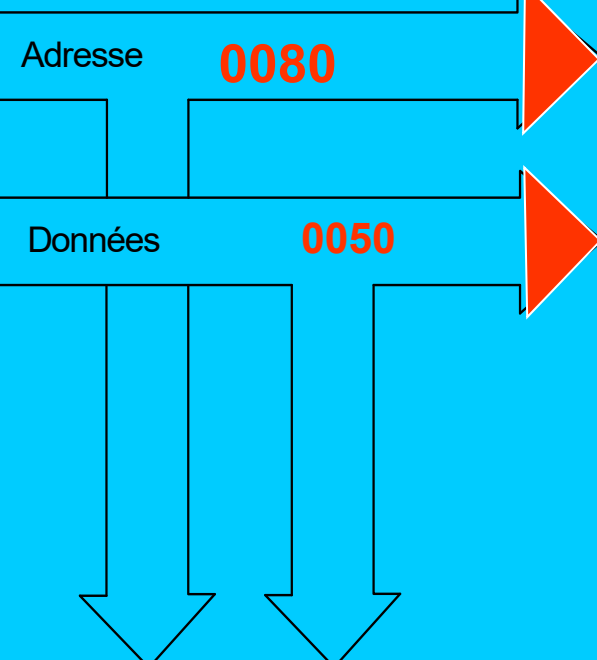
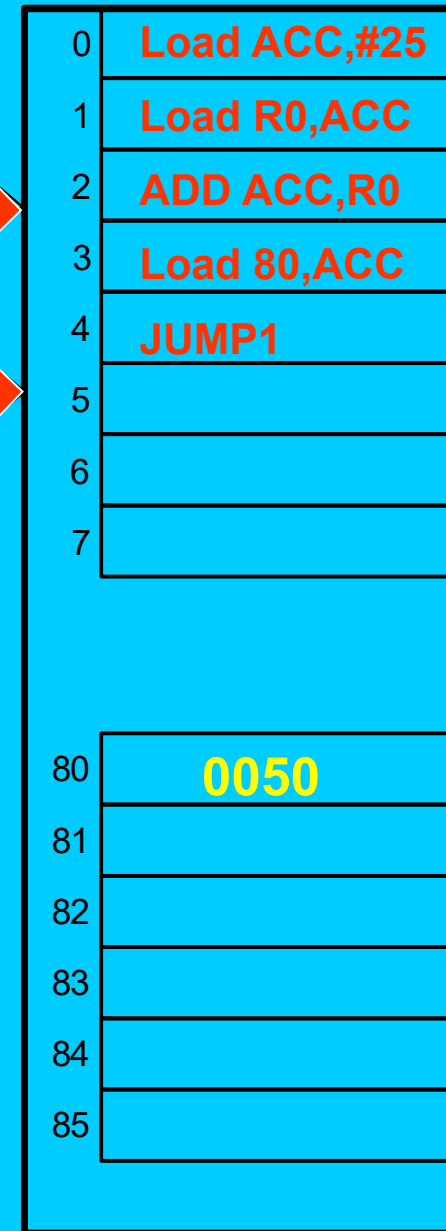
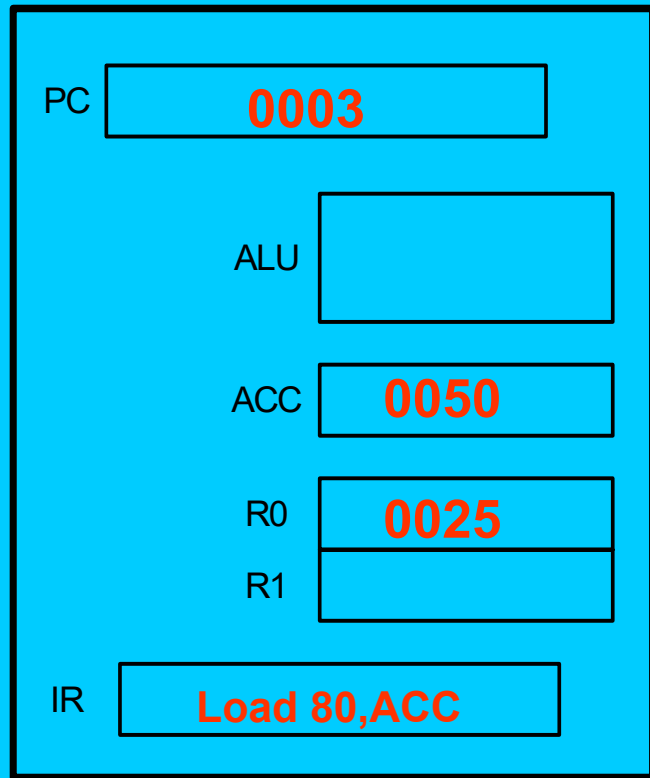


0	Load	ACC, #25
1	Load	R0, ACC
2	ADD	ACC, R0 E/S
3	Load	80,ACC

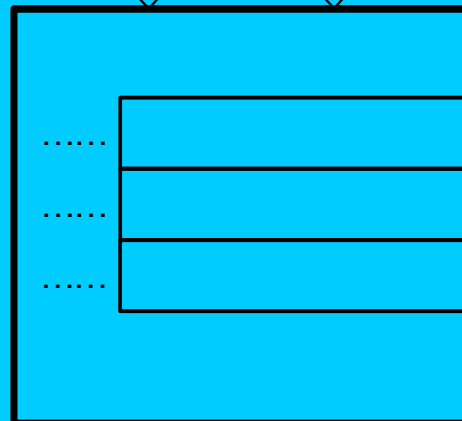


CPU

MEM

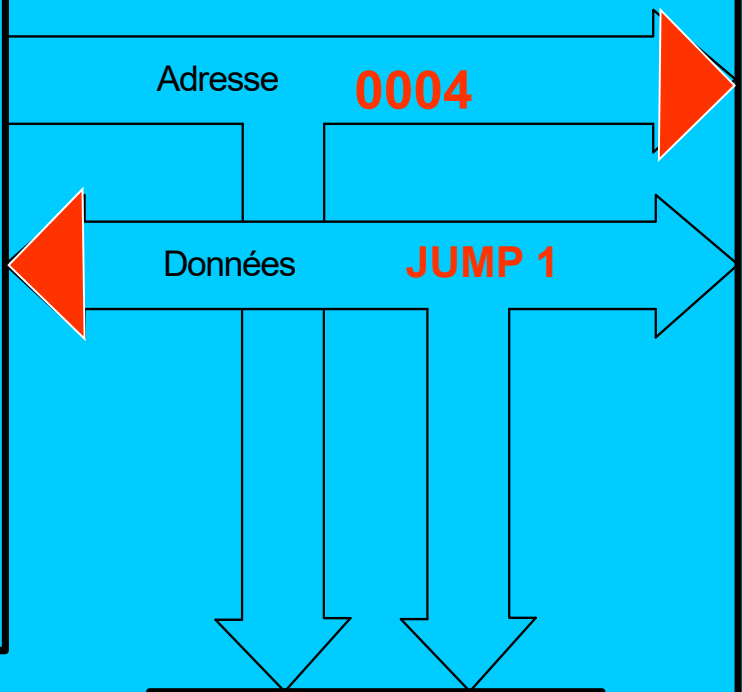
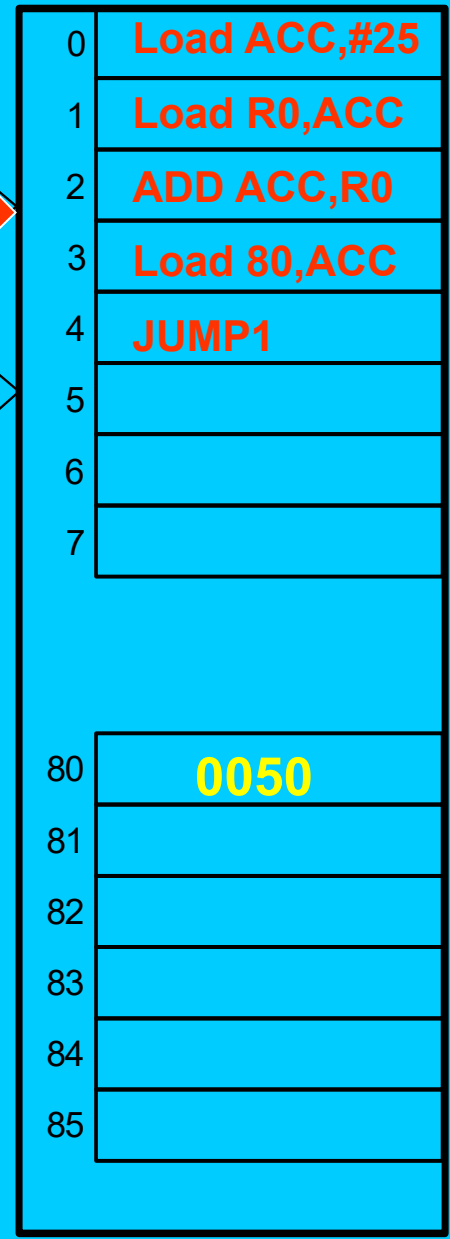
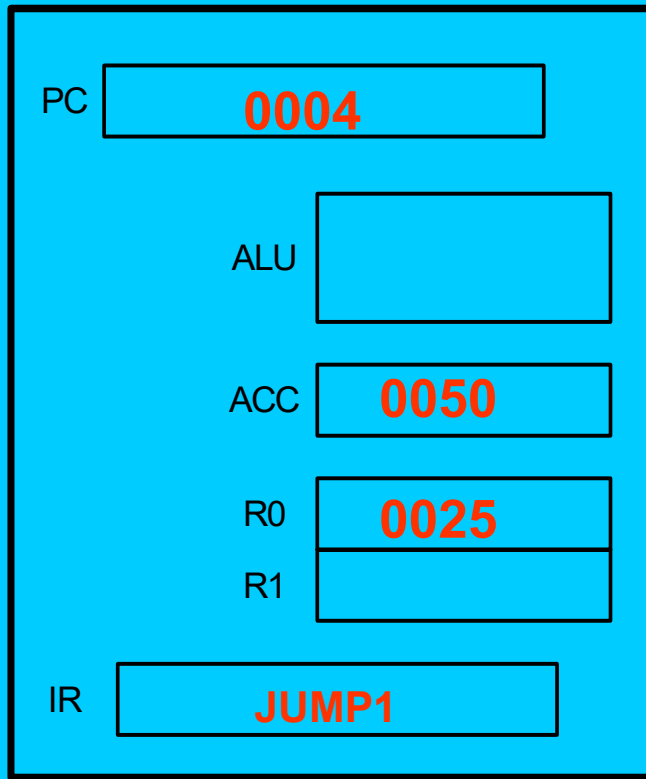


0	Load	ACC, #25
1	Load	R0, ACC
2	ADD	ACC, R0 E/S
3	Load	80,ACC

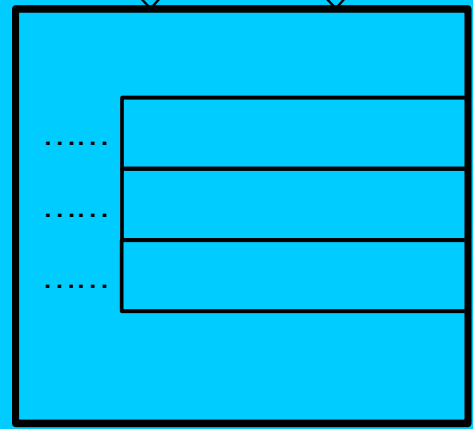


CPU

MEM

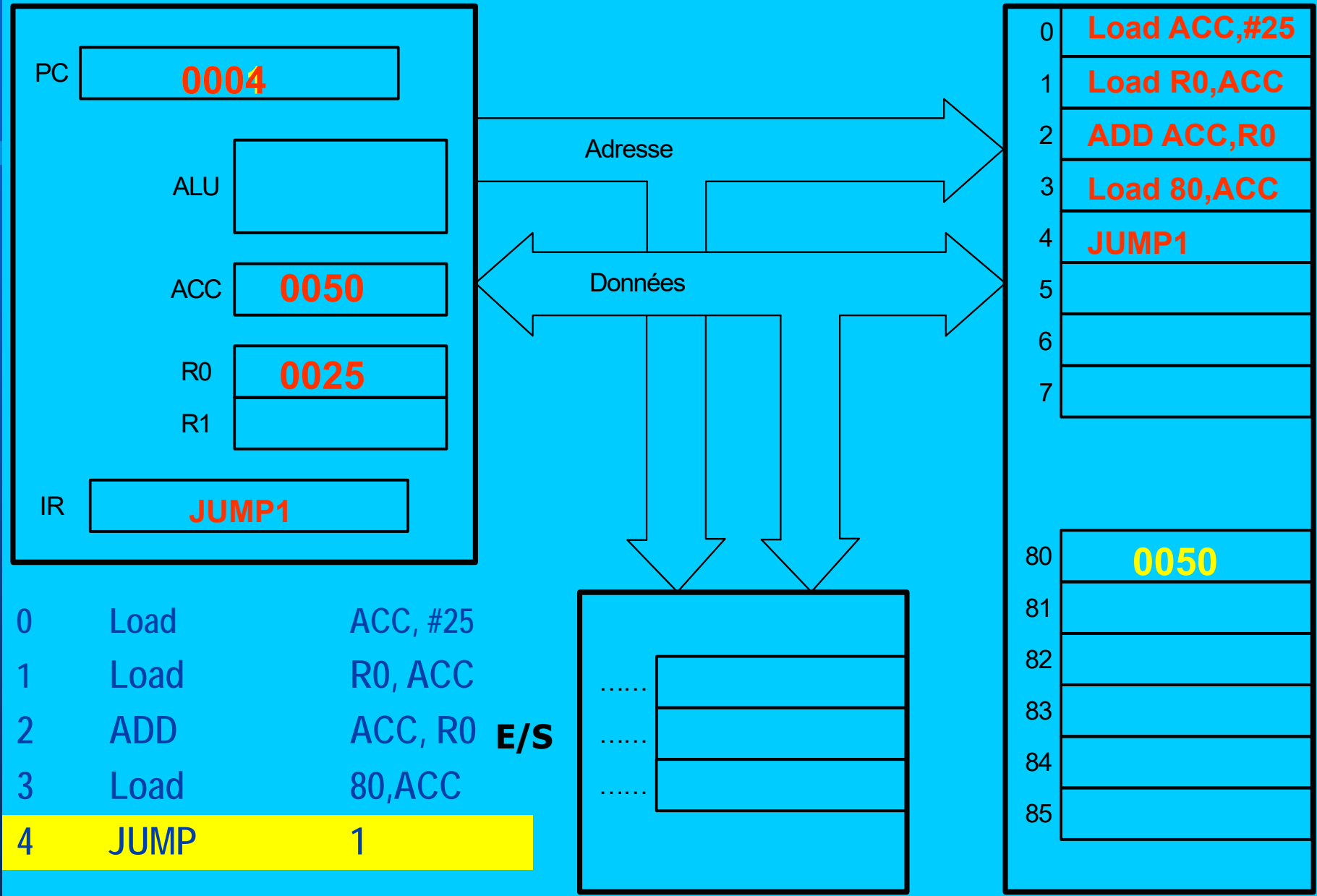


0	Load	ACC, #25	
1	Load	R0, ACC	
2	ADD	ACC, R0	E/S
3	Load	80,ACC	
4	JUMP	1	



CPU

MEM



0	Load	ACC, #25
1	Load	R0, ACC
2	ADD	ACC, R0
3	Load	80,ACC
4	JUMP	1